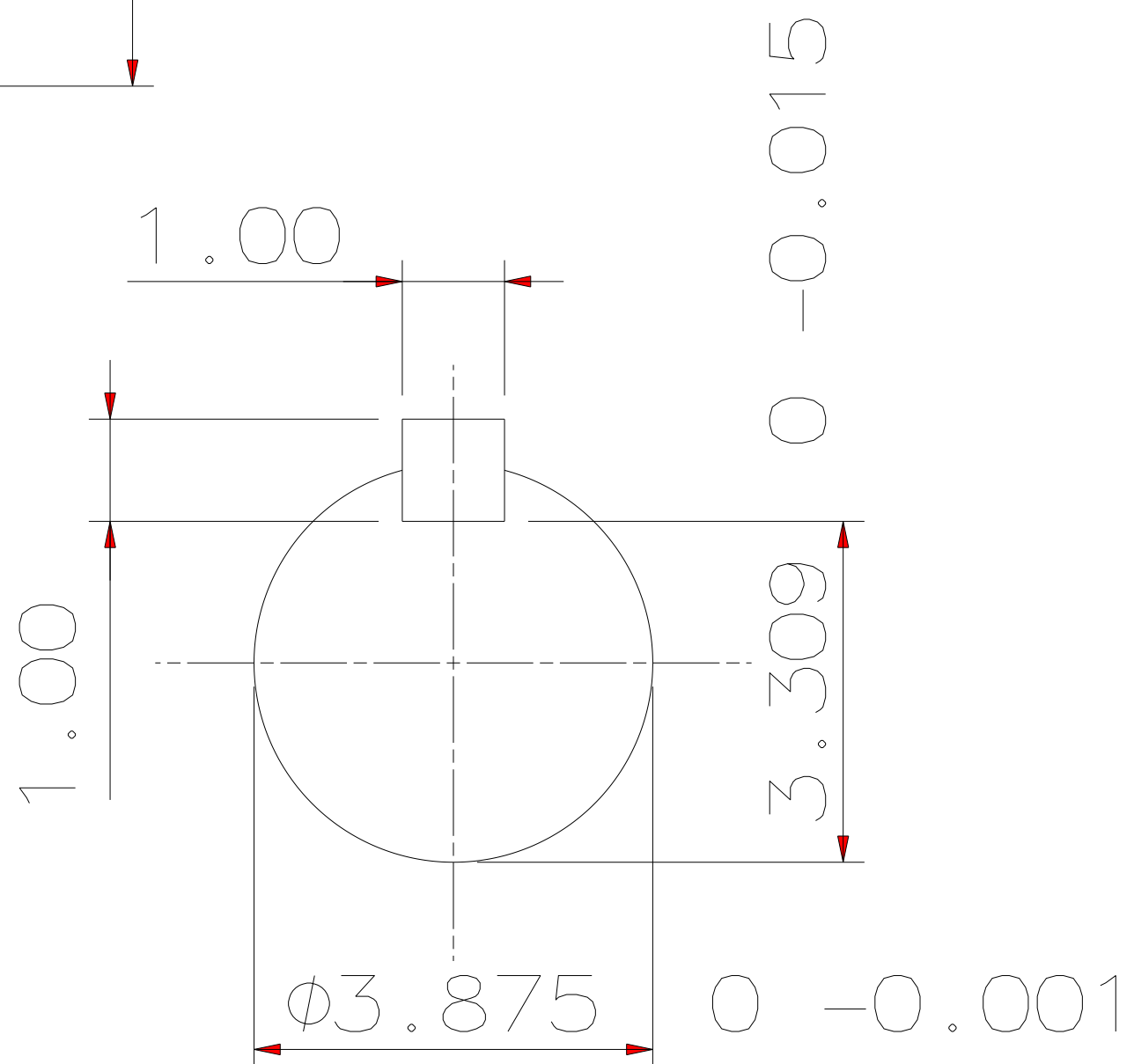
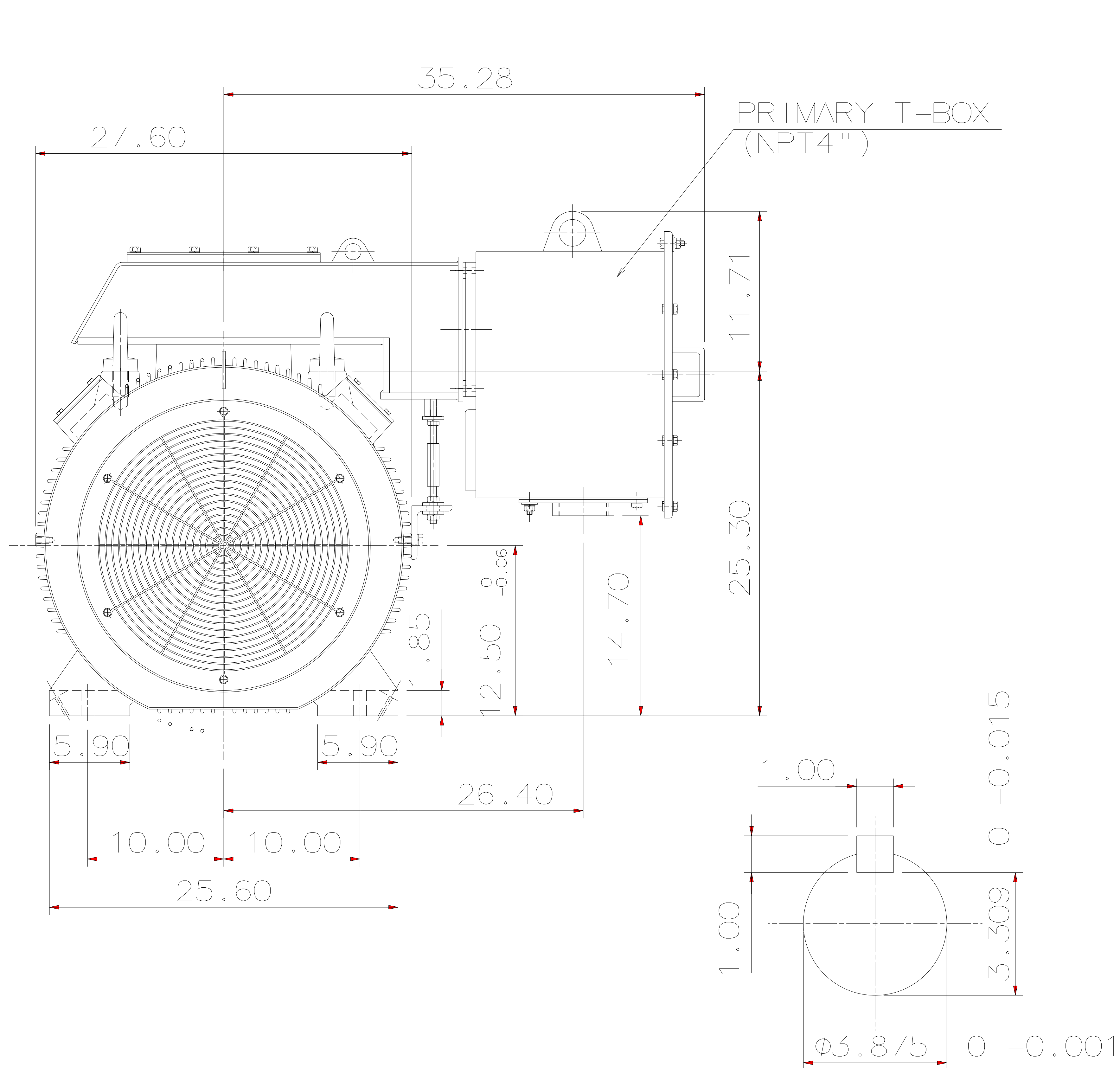
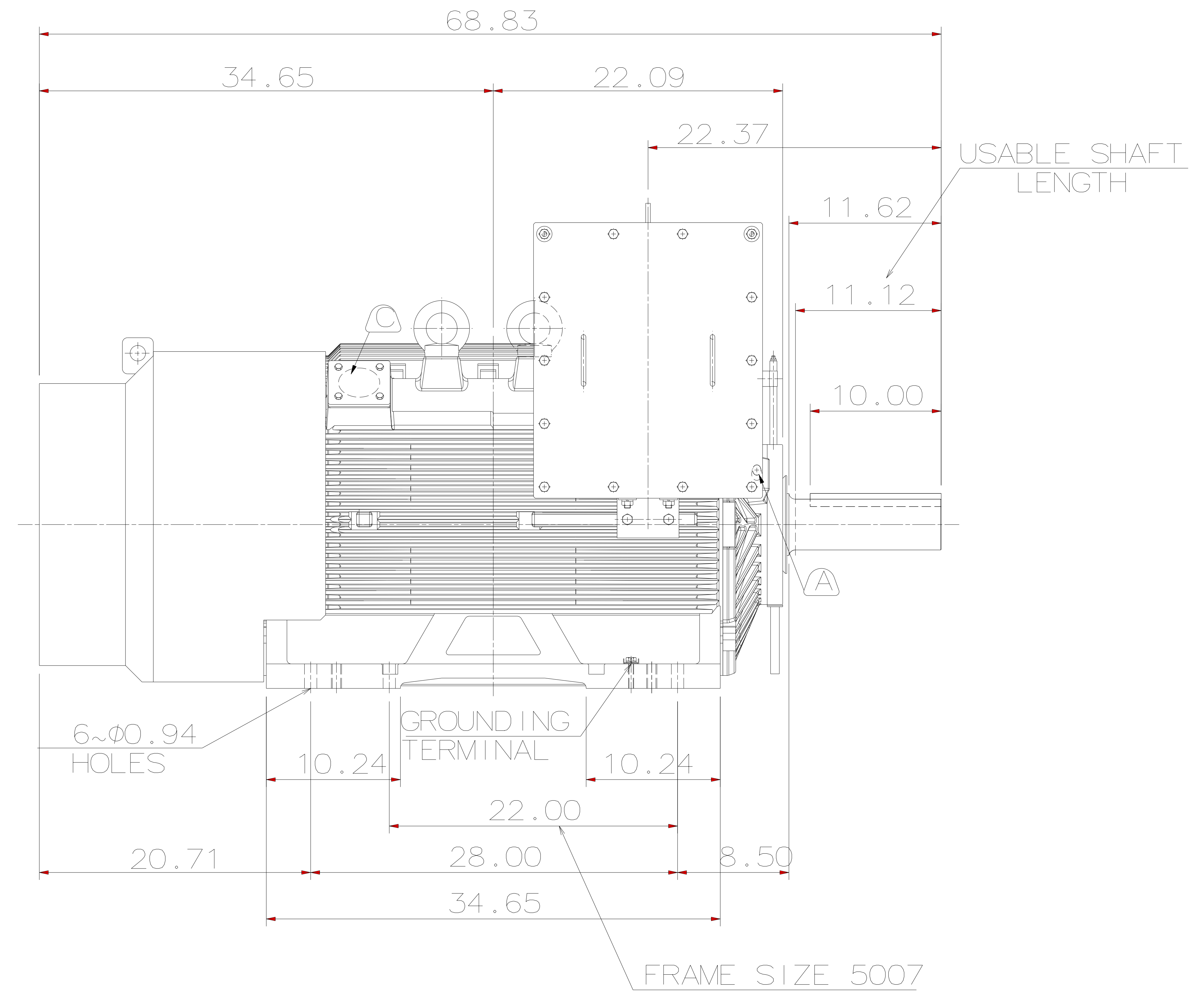


TYPE	OUTPUT		POLE	TIME RATING	VOLTAGE V	Hz	SYN. SPEED R.P.M
	HP.	kW.					
AFHH	200	149	8	CONT.	2300/4000	60	900

TOTALLY ENCLOSED FAN-COOLED, TYPE. SQUIRREL-CAGE ROTOR



SHAFT END
(ENLARGED VIEW)



- NOTE:
- DIMENSIONS IN inch
 - FRAME NO. 5009B
 - F CLASS INSULATION
 - FOR DIRECT FLEXIBLE COUPLING
 - ENCLOSURE: IP55
 - BEARING SIZE: DRIVE-END 6324C3
OPP. DRIVE-END 6320C3
 - MOTOR APPROX. WEIGHT: 4300 lb

ⓑ FOR BEARING RTD, END BRACKETS SHALL BE PRE-DRILLED AND PLUGGED.
 Ⓒ FOR AUXILIARY, FRAME SHALL BE PRE-DRILLED AND COVERD WITH STEEL PLATE.

DWN.	L. JHENG	APR. 22. 2019
CHKD.	H. WANG	APR. 23. 2019
APPD.	C. WANG	APR. 23. 2019

DATE APRIL 14, 2020	OUTLINE DIMENSIONS	
CATALOG NO.: EPF2008	3-PHASE INDUCTION MOTOR	
TEC Westinghouse		DWG NO. REV:01 5A040C164